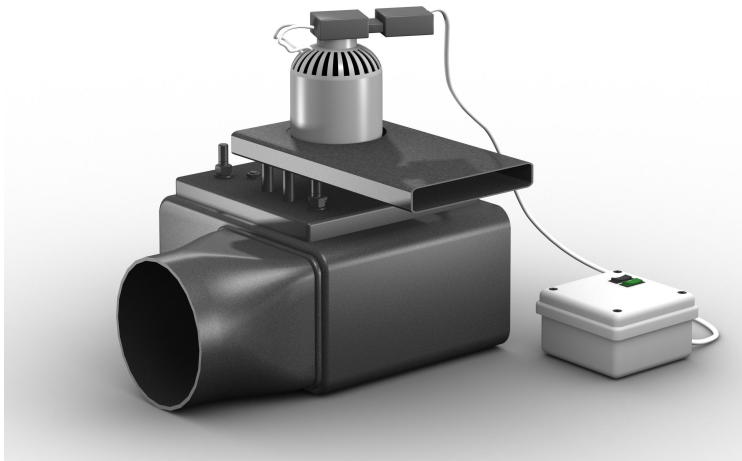


FLUE EXHAUSTER VS5



This appliance is designed for the chimney draught support of the heating device (for solid fuels), especially the boilers for wood. It is situated on the smoke flue between the outlet neck of the furnace and the inlet into the chimney.

The exhauster is equipped with the two-range speed regulator.

The usage of the flue exhauster has the following advantages:

PARAMETERS

MAXIMUM COMBUSTION GAS TEMPERATURE	400 °C
INPUT AT FULL OUTPUT	90 W
INPUT AT REDUCED OUTPUT	30 W
SPEED (AT FULL OUTPUT)	2 700 min ⁻¹
WEIGHT	12 kg
COVER KIND OF EL. PARTS	IP 20
SUPPLY VOLTAGE	230 V / 50 Hz
MAXIMUM NOISE LEVEL	54 dB
ENVIRONMENT	basic AA5/AB5

1. The limitation of the smoke up at stoking

2. The heat up simplification and speeding

3. The power increase of the furnaces dependent on the chimney draught

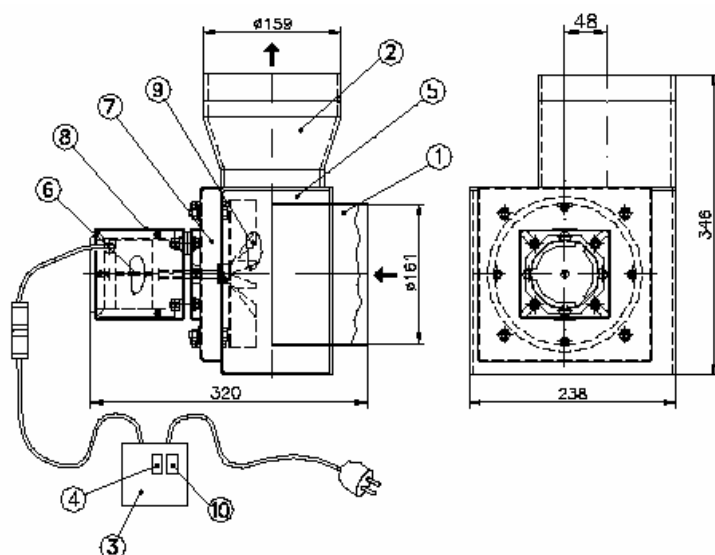
4. The limitation of the dustiness during the deashing and the furnace cleaning

- § The exhauster body is welded of the metal steel sheet of the thickness 3 mm. Inlet and outlet necks are designed for smoke flue mounting of 160 mm dia. A wheel (9) is mounted directly to a electromotor shaft. A cooling wheel is situated on the shaft between a blade wheel and an electromotor rotor. The electromotor with a safety cover (8) is mounted flexibly to a electromotor base (7). The electromotor base (7) contains the heat insulation of the thickness of 25 mm. The surface of the flue exhauster has a fireproof coating.
- § The part of the exhauster is a regulator box (3) with the signal operation light, and the switch for full and reduced speed. The clamps for the connection of safety expanding theremoregulator are inside of the box .
- § The exhauster can be situated just on the boiler outlet neck (on condition that the maximum combustion gas temperature of 400°C will not be exceed). We recommend to place the exhauster further from the boiler in such a case of furnace exceeding the combustion gas temperature of 400°C.

- § The exhauster can be placed any way, i.e. horizontally or vertically.
- § The air temperature close to the motor cannot exceed 45°C.
- § The regulator box is fit for the mounting on the vertical wall.
- § In case of all furnaces with water heating (boilers, combined stoves) we recommend to connect to the exhauster a turning thermostate setting on the temperature of 95°C (if the furnace doesn't have a relevant basin, the thermoregulator is placed on the boiler outlet).
- § At the VERNER boilers the exhauster is connected into the regulator terminal board and so the current boiler thermoregulator is utilized.

The manufacturer reserves the right for the technical modifications and changes provided in the frame of the product innovation. The purchaser will be informed about those changes.

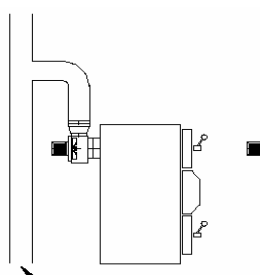
EXHAUSTER SCHEME



EXPLANATION

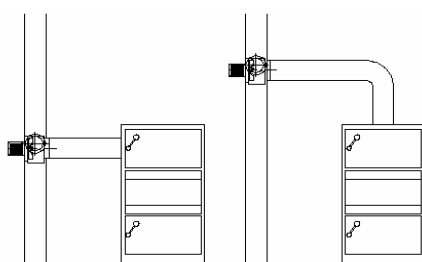
- 1) INLET NECK
- 2) OUTLET NECK
- 3) REGULATOR BOX
- 4) MAIN SWITCH
- 5) EXHAUSTER BODY
- 6) ELECTROMOTOR
- 7) ELECTROMOTOR BASE
- 8) COVER
- 9) WHEEL
- 10) SWITCH OF SPEED

PLACING ON THE
OUTLET NECK

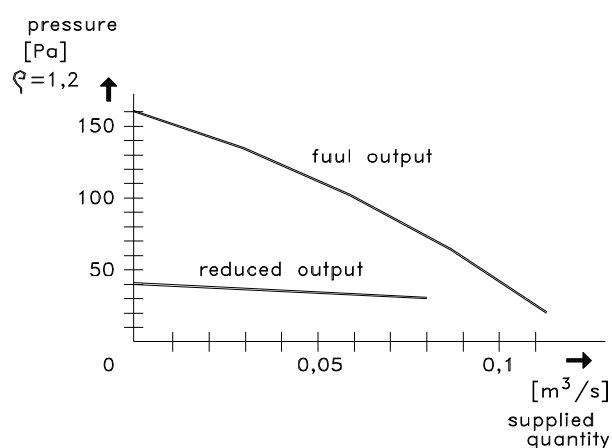


CHIMNEY SMOKE FLUE

PLACING INTO THE PIPELINES
(LONGER DISTANCE)



EXHAUSTER VS5 CHARACTERISTIC



VERNER
EXPERT ON HEAT
ISO 9001:2008

VERNER a. s.
Sokolská 321
549 41 Červený Kostelec
tel. +420 491 465 024
fax +420 491 465 027
info: +420 491 462 135
www.verner.cz
e-mail: info@verner.cz

Trade agency